

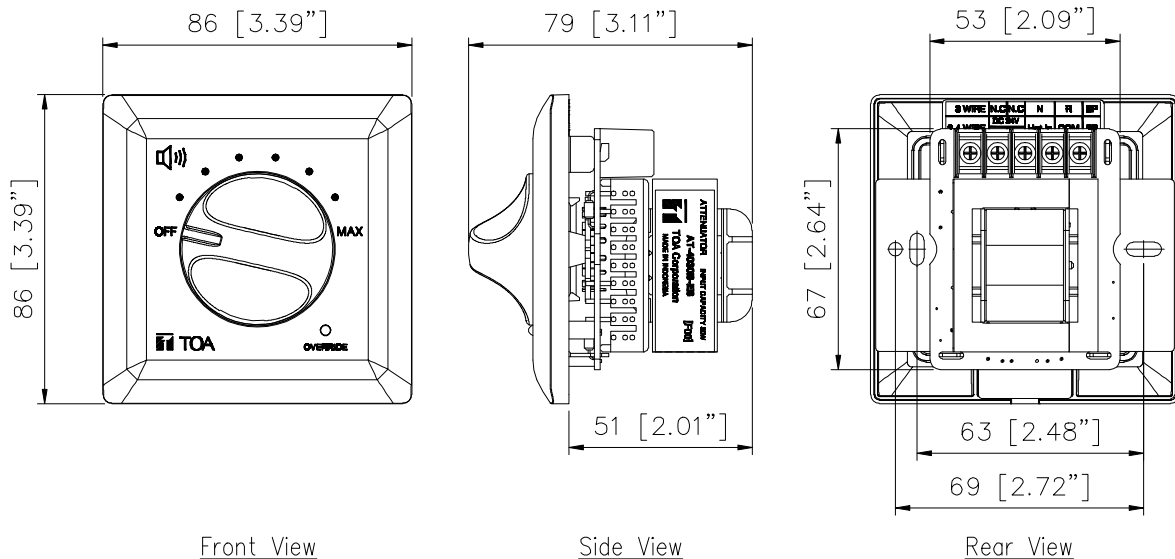
## DESCRIPTION

The AT-4030B-EB is a flush or surface mounting wall attenuator and uses matching transformer which allows connection of speaker loads under 30W. Volume can be adjusted in eight steps. AT-4030B-EB is a square type volume control featuring override relay with LED indicator. AT-4030B-EB can be connected in 2, 3, or 4 wiring system.

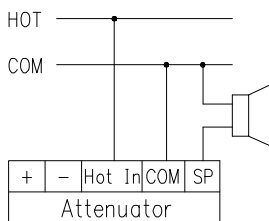
## SPECIFICATIONS

Input Capacity	30 Watt
Attenuations	8 steps ( 0dB, -3dB, -6dB, -9dB, -12dB, -15dB, -18dB, OFF )
Override Indicator	Red LED (4-wire connection only)
Overriding Voltage	24V DC, 11mA (4-wire connection only)
Dimensions	86 (w) x 86 (h) x 79 (d) mm [3.39" x 3.39" x 3.11"] (with cover panel)
Weight	0.45 kg [0.99 lb]
Color	White (RAL 9016 or equivalent)
Finish	Knob, Cover Panel : ABS Resin, White (RAL 9016 or equivalent)
	Front Panel (Plate) : Surface treated steel plate
Terminal	Screw type x 5 (Terminals)
Usable Cable	Cable range : 22 - 14 AWG
Accessories	Back Box (85.5 (w) x 85.5 (h) x 60 (d) mm) [3.37" x 3.37" x 2.36"]
	Plate mounting screw ..... 2

## APPEARANCE

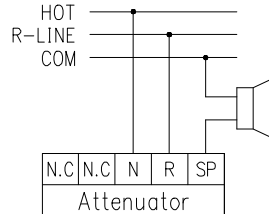


From Output Amplifier



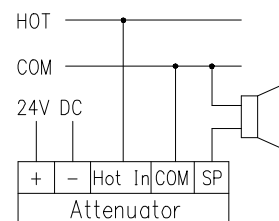
2 - WIRE CONNECTION

From Output Amplifier



3 - WIRE CONNECTION

From Output Amplifier

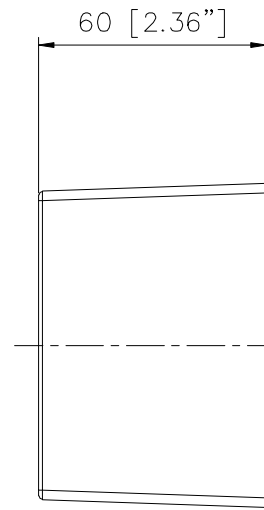
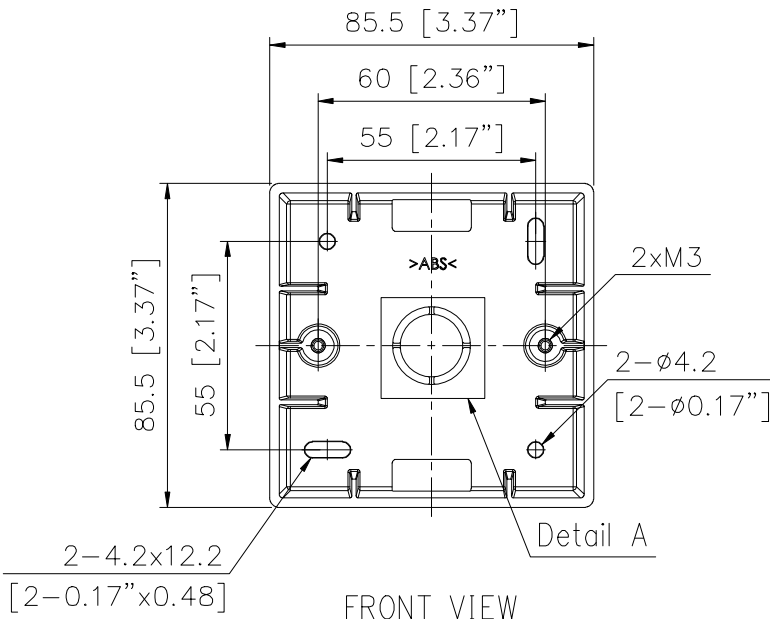


4 - WIRE CONNECTION

Note : N.C is NOT CONNECTED

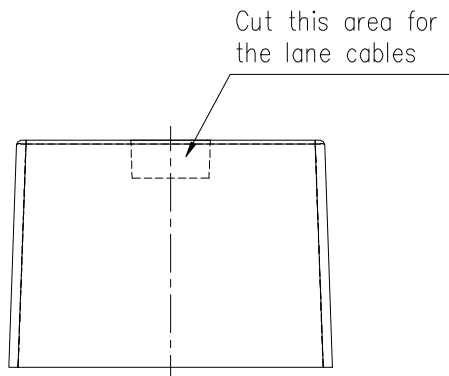
UNIT : mm SCALE : 1/2

**BACK BOX**

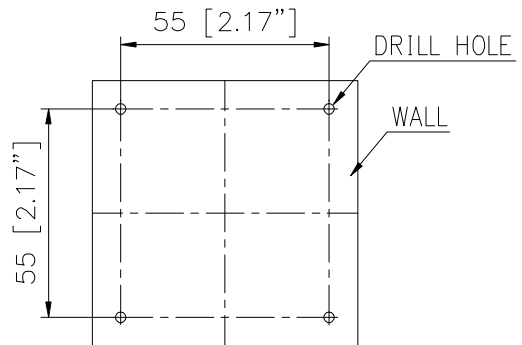


FRONT VIEW

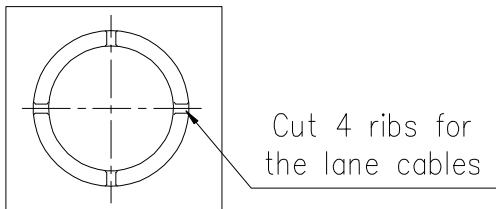
SIDE VIEW



TOP VIEW



Layout dimension of wall for surface mounting.



Detail A  
SCALE 1:1

Note : Drill hole dimensions depend on wall type.